



# Branch Manager™



OPERATION, MAINTENANCE AND SPARE PARTS MANUAL

## Bypass Grapple Model

- T1001 | □ T1031 | □ T4000 | □ T5000
- T1010 | □ T1036 | □ T4010 | □ T6000

[www.BranchManagerUSA.com](http://www.BranchManagerUSA.com)

# 1: INTRODUCTION

## 1.00 Attention Owner Operator:

Branch Manager Attachments would like you to be completely satisfied with your product, so please contact us for help with service, replacement parts, or other information you require.

Before contacting Branch Manager LLC please know your products model and serial number so we may provide you with the most accurate information.

For your convenience, please write the model and serial number in the space provided below. This information can be found on the equipment's serial number tag. (refer to “Decal Serial Number” tag location on parts breakdown page of this machines manual.

Model No: _____
Serial No: _____

Branch Manager LLC would like you the owner-operator, to know this piece of equipment can be very dangerous if safety procedures and warnings are ignored. Read this manual carefully page by page until you understand it completely. Failure to do so can and will result in personal injury and/or equipment damage. All personnel including operators, maintenance crews, and bystanders, etc. should read this manual before the unpackaging or using this equipment. This manual is to be considered a permanent part of the equipment package and should remain with the equipment if you sell it.

**NOTE:** In this manual, the product this book is referring to may be stated as a “attachment” or “equipment” or “machine”.

## **2: CONTACT US**

### 2.00 Manufacturer:

Thank you for purchasing (or using) Branch Manager LLC equipment. We as a company appreciate your continued support and use of Branch Manager equipment. We believe that a satisfied customer makes for a happy customer and a good business partner. At anytime if you have questions we can assist with or concerns you need answered in regards to the equipment. As stated we are committed to quality, innovation and customer satisfaction. We are here to support you as needed, please reach out to the factory at:

## **Branch Manager L. L. C.**

**PO BOX 440  
Champlin, MN 55316**

**Phone: 763-421-6147**

**E-Mail: [info@branchmanagerusa.com](mailto:info@branchmanagerusa.com)**

**Website: [branchmanagerusa.com](http://branchmanagerusa.com)**

## 3: SAFETY & WARNINGS

### 3.00 TERMS AND WARNING SYMBOLS USED IN MANUAL

The warning system in this manual identifies potential hazards and has special safety messages that help you and other avoid personal injury or death. Safety is a combination of operator common sense and awareness. Please always use extreme caution at all times including but not limited to; unpacking, unloading or loading, maintaining and during machine operation.

**DANGER**, **WARNING**, **CAUTION** and **IMPORTANT** are signal words used to identify the level of hazard. Regardless of the hazard, please be careful.

“**DANGER**” signals an extreme hazard that will cause serious injury or death.

“**WARNING**” signals a hazard that may cause serious injury or death.

“**CAUTION**” signals a hazard that may cause minor or moderate injury.

“**IMPORTANT**” signals information that is worthy of special attention.

**In this Product Manual you will see the following symbols indicating the previously noted hazard level.**



Please use extreme caution and common sense when operating Branch Manager equipment, and all equipment alike. It is your responsibility to be safe to prevent harm and damage to people and equipment.

## 4: TABLE OF CONTENTS

### 4.00 TABLE OF CONTENTS WITH PAGE AND SECTIONS

<b>SECTION</b>	<b>DESCRIPTION</b>	<b>PAGE #</b>
1.00	INTRODUCTION	02
2.00	CONTACT US	03
3.00	SAFETY & WARNINGS	04
4.00	TABLE OF CONTENTS	05
5.00	GENERAL OPERATION AND SAFETY	06
5.01	GENERAL OPERATION AND SAFETY (CONT'D)	07
6.00	EQUIPMENT SPECIFIC WARNINGS	08
7.00	SERVICE & MAINTNANCE	09
8.00	REPLACEMENT PARTS, T1001	10
8.01	PARTS BREAKOUT ILLUSTRATION 1.1	11
8.02	REPLACEMENT PARTS, T1010	12
8.03	PARTS BREAKOUT ILLUSTRATION 1.2	13
8.04	REPLACEMENT PARTS, DIVERTER	14
8.05	DIVERTER, WIREING DIAGRAM , ILLUSTRATION 1.3	14
8.05	PARTS BREAKOUT ILLUSTRATION 1.4 / 1.5	15
8.06	REPLACEMENT PARTS, T1030, T1035	16
8.07	PARTS BREAKOUT ILLUSTRATION 1.6	17
8.08	REPLACEMENT PARTS, T4000	18
8.09	PARTS BREAKOUT ILLUSTRATION 1.7	19
8.10	REPLACEMENT PARTS, T5000	20
8.11	PARTS BREAKOUT ILLUSTRATION 1.8	21
9.00	EQUIPMENT FEATURE WARNINGS	22
10.0	EQUIPMENT SERVICE LOG	23
11.0	WARRANTY POLICY INFORMATION	27

## 5: GENERAL OPERATION AND SAFETY

### 5.00 MACHINE OPERATOR AWARENESS



Do not operate this machine until you have read the manual page by page and understand the manual. The owner of this machine is responsible for all operators and support personnel in the operation and safety precautions of this equipment. Proper training prior to operation of the equipment is obligatory.

- ⇒ Study the manual and read all safety instructions carefully, including all instruction stickers on the machine.
- ⇒ Before anyone uses the attachment, make sure that he/she also studies these instructions for use and all safety regulations
- ⇒ The operator must be of age (not a minor) and in good health.
- ⇒ The operator cannot be under the influence of alcohol, drugs or medicines.
- ⇒ Stay alert! Do not operate the attachment when fatigued.
- ⇒ In order not to endanger the safety of the operator, do not modify the attachment.
- ⇒ Use only original parts replacements. Remove all inappropriate components that don't belong to the attachment.
- ⇒ Install all protective shields in their proper place.
- ⇒ Study the function of all controls.
- ⇒ Place the attachment on the ground in such a position that it cannot move during maintenance, transporting, cleaning, adjustments, and installation of accessories or storage.
- ⇒ Do not put the attachment into such uses, for which it is not designed.
- ⇒ The danger zone is 100 feet; ensure that no one is inside the danger zone, take special note of children, cease all operation if children are present in the danger zone.
- ⇒ Familiarize yourself with the controls and how to stop the machine in an emergency.
- ⇒ Never leave the attachment hanging in the air.
- ⇒ Wear protective gloves and other protective clothing to prevent exposures.
- ⇒ In case you install a new additional valve system, you have to take into consideration that pressurized hydraulic hoses cannot be in the cabin area without protection.

## 5: GENERAL OPERATION AND SAFETY (Continued)

### 5.01 MACHINE OPERATOR AWARENESS



Do not operate this machine until you have read the manual page by page and understand the manual. The owner of this machine is responsible for all operators and support personnel in the operation and safety precautions of this equipment. Proper training prior to operation of the equipment is obligatory.

- ⇒ The valve controls must be installed in the cabin of the equipment.
- ⇒ The attachment is designed for short distance transfer of timber on a landing.
- ⇒ The attachments are not to carry a load while being transported or while on public roadways.
- ⇒ Failure to heed the warnings printed on the grapple or in the operator's manual may result in serious injury or death!
- ⇒ Do not wear loose or torn clothes. Keep hands, feet and clothing away from power driven parts.
- ⇒ Never go under the attachment or the load. Always operate the attachment from inside the cab of the machine or the operators controls, staying a safe distance (more than an arms reach away) from moving parts.
- ⇒ Check the tightness of all nuts and bolts after the first service hour. Also check the tightness at least once a month. They should be fastened in place, and in good working condition.
- ⇒ Before lubricating the machine, shut down the engine and stop the machine.
- ⇒ Observe possible leakage of hydraulic oil during the use of the machine. Repair leaks immediately to prevent contamination of nature.
- ⇒ Pressurized oil can be hazardous. Pressurized oil jet can penetrate skin and cause serious injuries or death.
- ⇒ Some photographs in this manual may show guards and shields removed for the purposes of illustration only. Be sure that all guards and shields are in the proper operating positions before operating the equipment.
- ⇒ Check that attachments are securely fastened to the attachment hitch prior to working (pins to be fully engaged).
- ⇒ Do not use the equipment to lift or transport people.
- ⇒ Never rely on the hydraulics to be impervious to failure, use common sense and do not lift attachments over valuable items, areas or potential hazards (including but not limited to: people, animals, waterways, roadways, vehicles, utilities).

## 6: EQUIPMENT SPECIFIC WARNINGS

### 6.00 SAFETY DECALS AND WARNINGS

On this machine you will find the following warning decals and informative labels.

This Decal is located on the side of grapple body.



DANGER PINCH POINT (B420375)



Safety Decals are placed conspicuously for the operator and are located near any area of potential danger.

Replace any decals that are damaged or lost.



## 7: SERVICE & MAINTENANCE

### 7.00 SERVICING LOCATIONS AND MAINTENANCE REQUIRMENTS



Keep nuts and bolts tight to ensure operation safety and machine longevity.

Inspect hydraulic hoses and fittings for leaks before operation.

Grease joints (fittings) before each use.

Do not use this attachment if upon inspection any part of the equipment appears to be worn or fatigued, including but not limited to; hoses, bolts, pins, bearing, and welds.

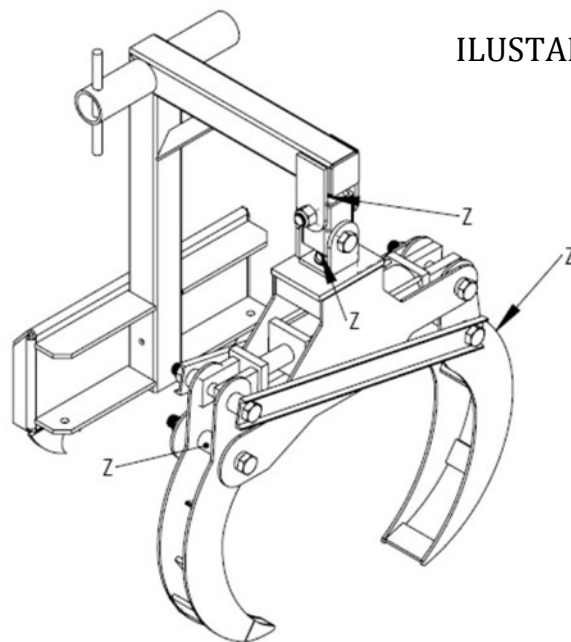


It is important to lubricate the equipment regularly. It is required that the user greases the equipment after each 8 hours of use.

To ensure the longevity of your equipment, be sure that the grease used and the grease fitting is clear of debris prior to lubricating the equipment.

Use extreme caution when working around equipment.

**NOTE: Grease fitting location are noted below with a “Z”**



ILUSTARTION 1.0

Illustration may vary from actual product.

**8: REPLACEMENT PARTS, T1001, T1031**

## 8.00 REPLACEMENT PARTS LIST

ITEM #	PART #	ILL. #	DESCRIPTION	QTY.
1	B100000	1.1	BMG HANGER (VARIES DEPENDING ON LOADER MFG.)	1
2	B420006	1.1	KNUCKLE	1
3	B420005	1.1	CLEVIS	1
4	B100006	1.1	1" WASHER SAE G8	3
5	B100004	1.1	1" TOP LOCK NUT	6
6	B100003	1.1	1" X 3" BOLT G8	1
7	B120004	1.1	1" X 5" BOLT G8	2
8	B420103	1.1	GRAPPLE BODY	1
9	B420101	1.1	GRAPPLE ARM SMALL	1
10	B420102	1.1	GRAPPLE ARM LARGE	1
11	B420088R	1.1	TRANSFER ARM RIGHT (BACK)	2
12	B100001-G8	1.1	1" X 8" BOLT G8 1-8 X 8	4
13	B170002	1.1	CYLINDER 2X8	1
14	B100005-W	1.1	1" NUT G8 (WELDED ONTO BOLT)	1
15	B420088L	1.1	TRANSFER ARM LEFT (FRONT)	1
16	B150038	NO ILL.	ZERK FITTING 1/4-28 SHORT, STRAIGHT	6
17	B170047	NO ILL.	108" - 1/2" HOSE	2
18	B170022	NO ILL.	FITTING 8MB - 8JIC 90 DEG	2
19	B170004	NO ILL.	MALE CONNECTOR (VARIES DEPENDING ON LOADER MFG.)	1
20	B170005	NO ILL.	FEMALE CONNECTOR (VARIES DEPENDING ON LOADER MFG.)	1
21	B150089	1.2	SPIRAL HOSE WRAP 32MM	4
22	B420375	NO ILL.	DECALS PINCH POINT	1
23	B160003	NO ILL.	BRANCH MANAGER™ STICKER	1
24	B150037	NO ILL.	ZERK FITTING 45 DEG	2
25	B420141P	NO ILL.	RECEIVER HITCH	1
26	B420142	NO ILL.	1/2" X 3 1/2" PIN (RECEIVER HITCH SNAPPER PIN)	1
27	B420123	NO ILL.	SAW SCABBARD KIT	1

## 8: REPLACEMENT PARTS, T1001, T1031

### 8.01 REPLACEMENT PARTS BREAKOUT ILLUSTRATION

ILLUSTRATION 1.1

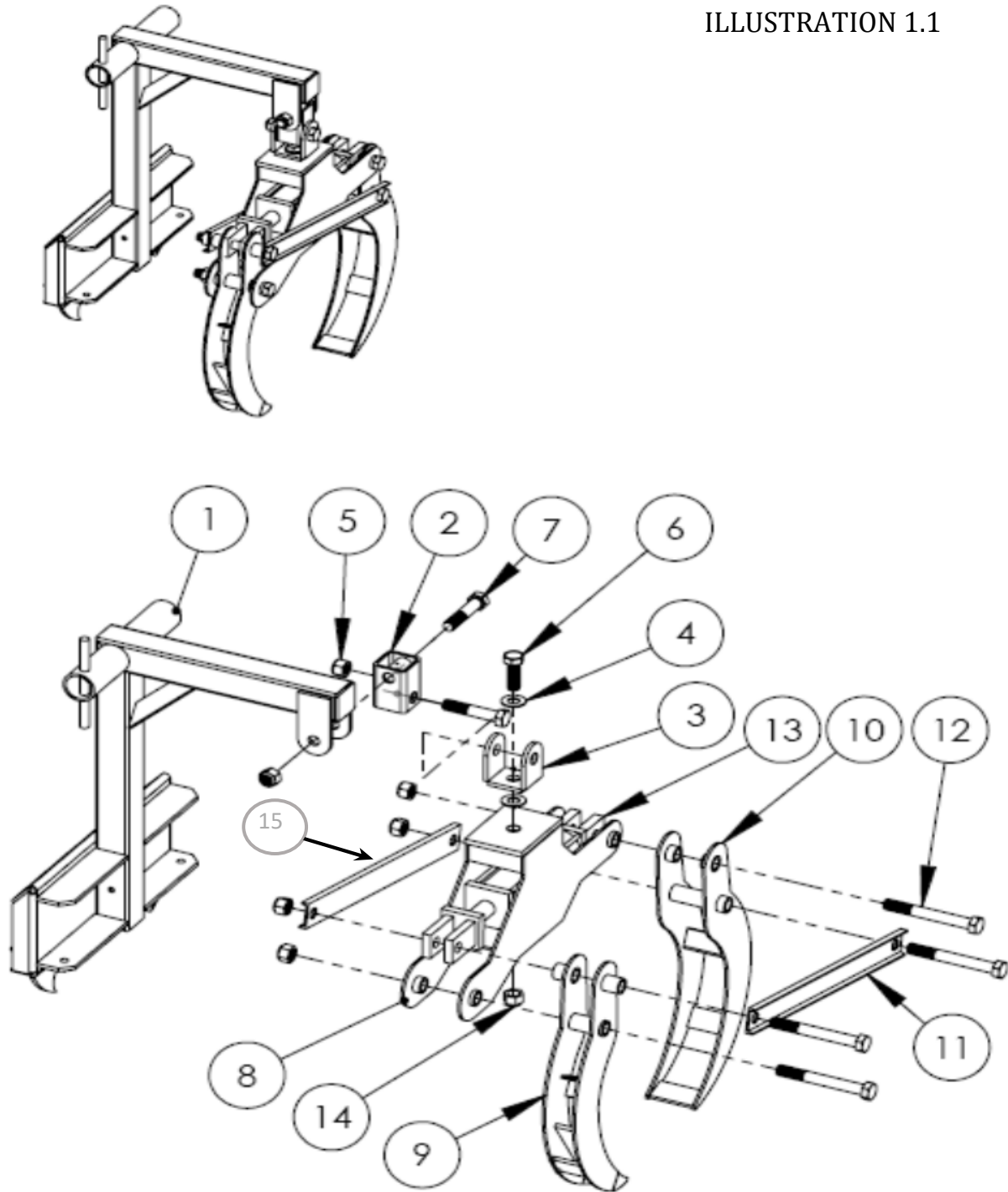


Illustration may vary from actual product.

## 8: REPLACEMENT PARTS, ROTATOR, T1010

### 8.02 REPLACEMENT PARTS LIST

ITEM #	PART #	ILL. #	DESCRIPTION	QTY.
28	B120000	1.2	BMGR HANGER (VARIES DEPENDING ON LOADER MFG.)	1
29	B420152	1.2	FITTING 6MJIC - 4MBSPP (FINN 1 TON ROTATOR)	6
30	B120011H	1.2	HOSE 36" 3/8 HOSE, 6FJIC 90 DEG TO 6FJIC	4
31	B420518	1.2	HOSE 13" 6FJIC - 6FJIC	1
32	B120014	1.2	FITTING 8MB - 6JIC 90 DEG	1
33	B420383	1.2	HOSE 21" 6FJIC - 6FJIC	1
34	B420337	1.2	FITTING 8MB - 6MJIC 45 DEG	1
35	B120016	1.2	ROTATOR 1 TON FINN CR100	1
36	B420144P	1.2	KNUCKLE ROTATOR WELDMENT	1
37	B120001P	1.2	BRACKET ROTATOR TO GRAPPLE	1
38	B420103R	1.2	BMGR BODY	1
39	B420364	1.2	1/2" X 2" BOLT G8	4
40	B420335	1.2	1/2" NUT NYLOCK	4
41	B380007-USS	1.2	1/2" WASHER USS G8	4
42	B420355	1.2	1" WASHER SAE G8	6
43	B420366	1.2	CYLINDER 2X8 PILOT CHECK VALVE CYLINDER	1
44	B420455	1.2	20MM X 90MM BOLT G8	1
45	B420456	1.2	20MM NUT G8	1
46	B420469	1.2	20MM WASHER, LOCK	1
47	B380010	1.2	3/8" X 1 1/2" BOLT G8	4
48	B380011	1.2	3/8" WASHER FLAT G8	8
49	B380012	1.2	3/8" NUT NYLOCK G8	4
50	B420542P	1.2	GUARD, FINN 1 TON BLACK PAINT	1
51	B150090	1.2	SPIRAL WRAP BLACK 20MM (3/4")	27
52	B120029P	1.2	DIVERTER GUARD WELDMENT, BLACK PAINT	2

Grapple Head Parts breakdown for **T1010 (-4)** can be found on page 10 and 11.

## 8: REPLACEMENT PARTS, ROTATOR, T1010

### 8.03 REPLACEMENT PARTS BREAKOUT ILLUSTRATION

ILLUSTRATION 1.2

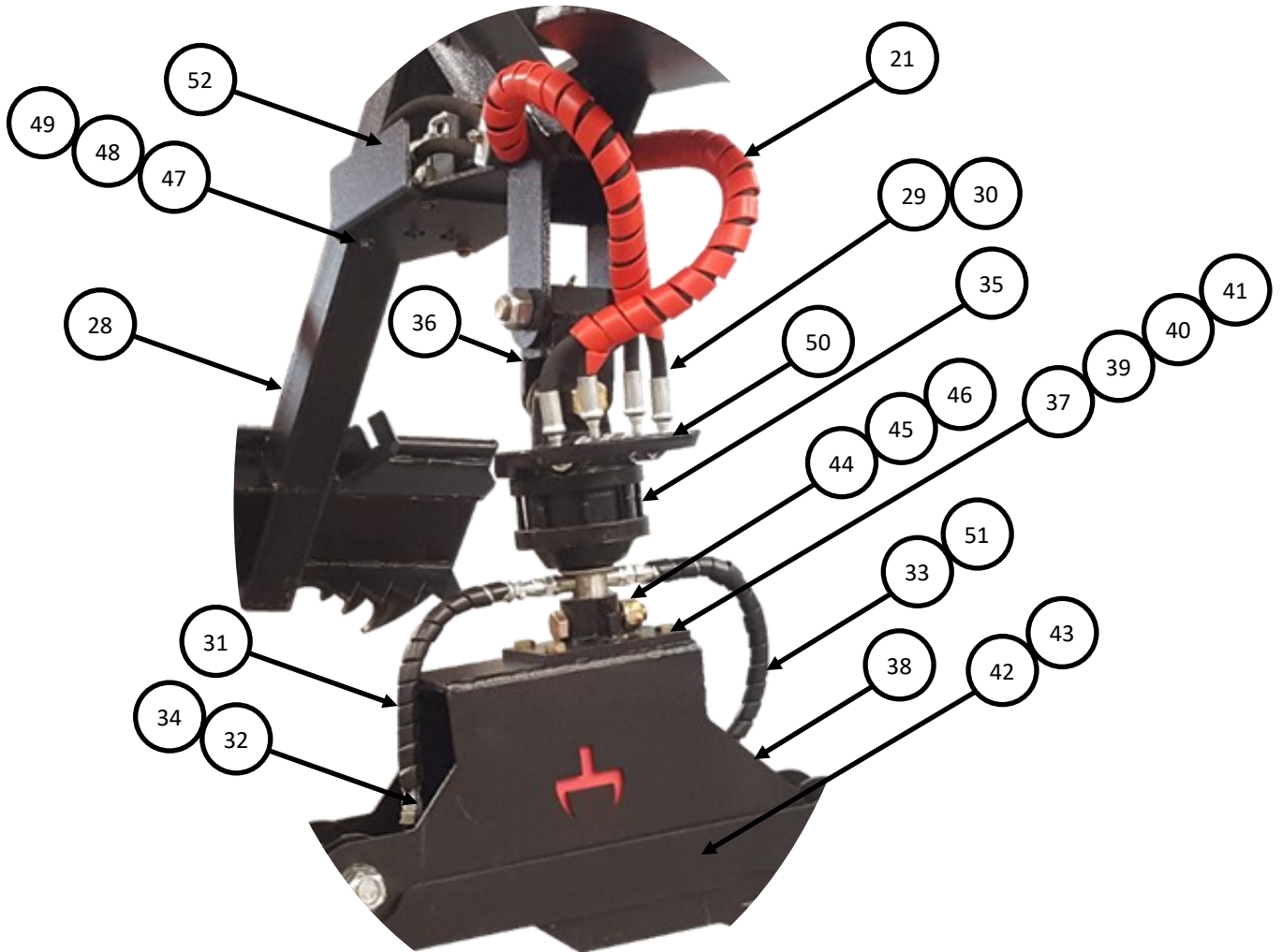


Illustration may vary from actual product.

## 8: REPLACEMENT PARTS, DIVERTER, T1010, T1035, T4010, T5000

### 8.04 DIVERTER REPLACEMENT PARTS LIST

ITEM #	PART #	ILL. #	DESCRIPTION	QTY.
53	B170017-K	1.5	DIVERTER 6 WAY VALVE WITH MOUNTING BOLTS	1
54	B420365	1.4	HOSE 62" X 3/8" SUPPLY ASSEMBLY 6FJIC - 1/2" MP	2
55	B120014	1.5	FITTING 8MB - 6MJIC 90 DEG	6
55 B	B420342	1.5	FITTING 8MB - 8MJIC 45 DEG	6
56	B120015	1.5	FITTING RESTRICTOR 6MJIC - 6FJIC IN LINE RESTRICTOR .031	1
57	B150027	1.5	DIN CONNECTOR	1
58	B420147	1.4	5/16" NUT NYLOCK	3
59	B420382	1.4	5/16" X 2 1/2" BOLT G5	1
60	B120024-7	1.4	5/16" X 7" BOLT G5	1
61	B420352	1.4	CLAMP HOSE 3/8" PLASTIC	6
62	B420353	1.4	CLAMP HOSE 3/8" STEEL TOP	5
63	B44001	1.4	WIRE 16 GAUGE 2 WIRE	80
64	B44004	NO ILL.	2 POLE TRAILER PLUG END, 8"	1
65	T4444W	NO ILL.	SWITCH KIT FOR ROTATOR & WINCH SOLENOID	1
66	B420526	NO ILL.	FITTING 6MJIC - 6MJIC STRAIGHT (-4 HOSE MODELS ONLY)	4

ILLUSTRATION 1.3

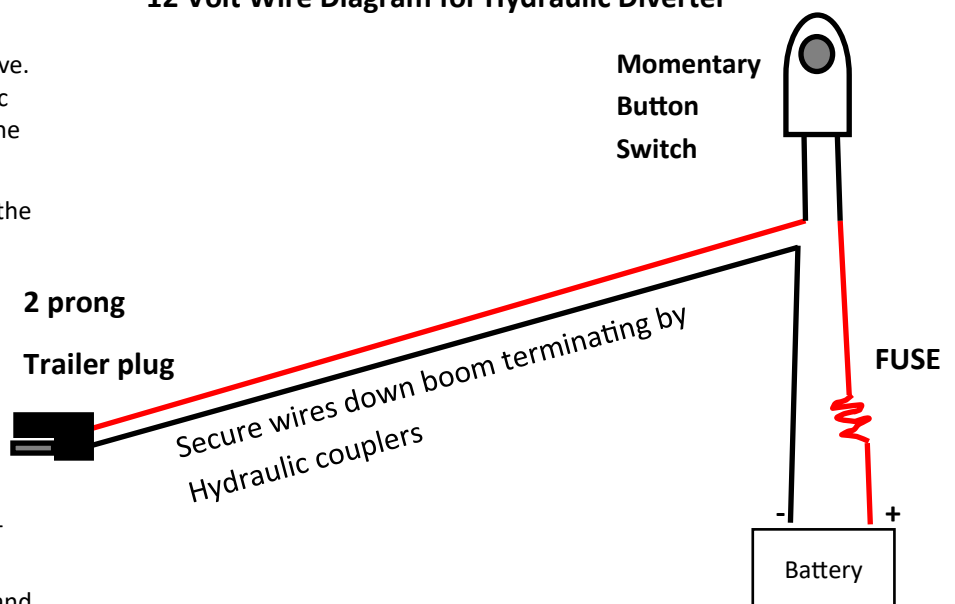
#### 12 Volt Wire Diagram for Hydraulic Diverter

To operate the diverter some loaders require this switch and circuit to be installed when only one auxiliary circuit is available.

This circuit will operate a hydraulic diverter valve. In the de-energized state the auxiliary hydraulic circuit will control the opening and closing of the grapple.

In the energized state the diverter will control the rotation of the grapple.

You need to press and hold the provided momentary switch and operate the auxiliary hydraulic valve for the rotator to spin. Therefore, glue the switch to the joystick or most comfortable position while operating the machine's auxiliary valve control (epoxy or 6000 glue). Run the wire from the battery to the momentary button and secure it down the boom. Splice the 2-wire connector on (note polarity) and secure near Hydraulic couplers. Contact Branch Manager with questions



## 8: REPLACEMENT PARTS, DIVERTER, T1010, T1035, T4010, T5000

### 8.05 DIVERTER REPLACEMENT PARTS BREAKOUT ILLUSTRATION

ILLUSTRATION 1.4

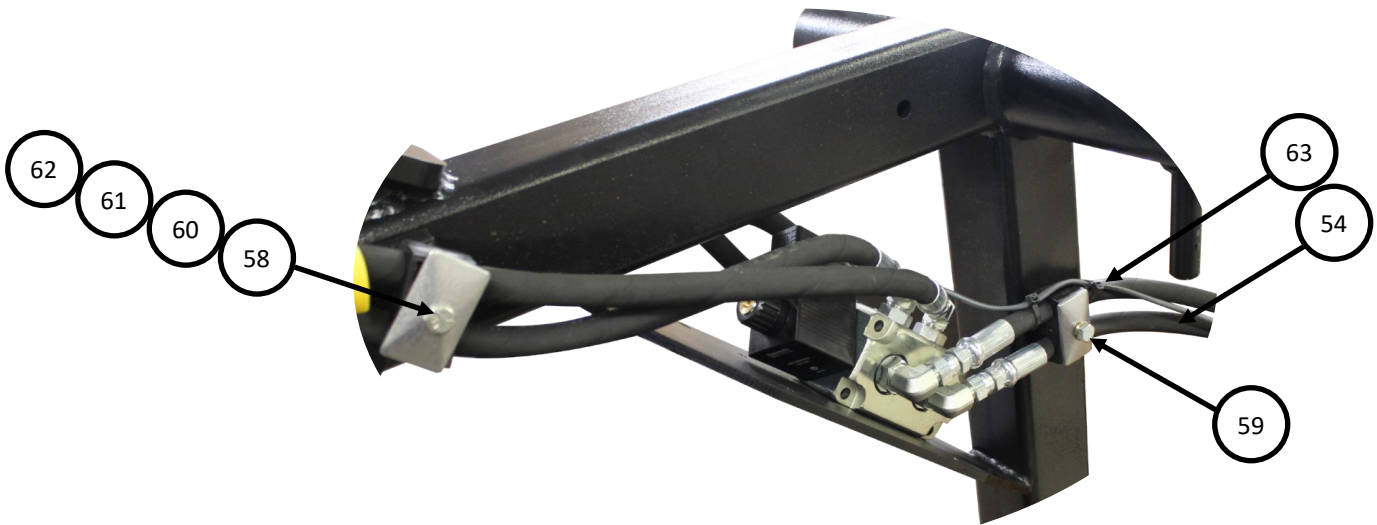


ILLUSTRATION 1.5

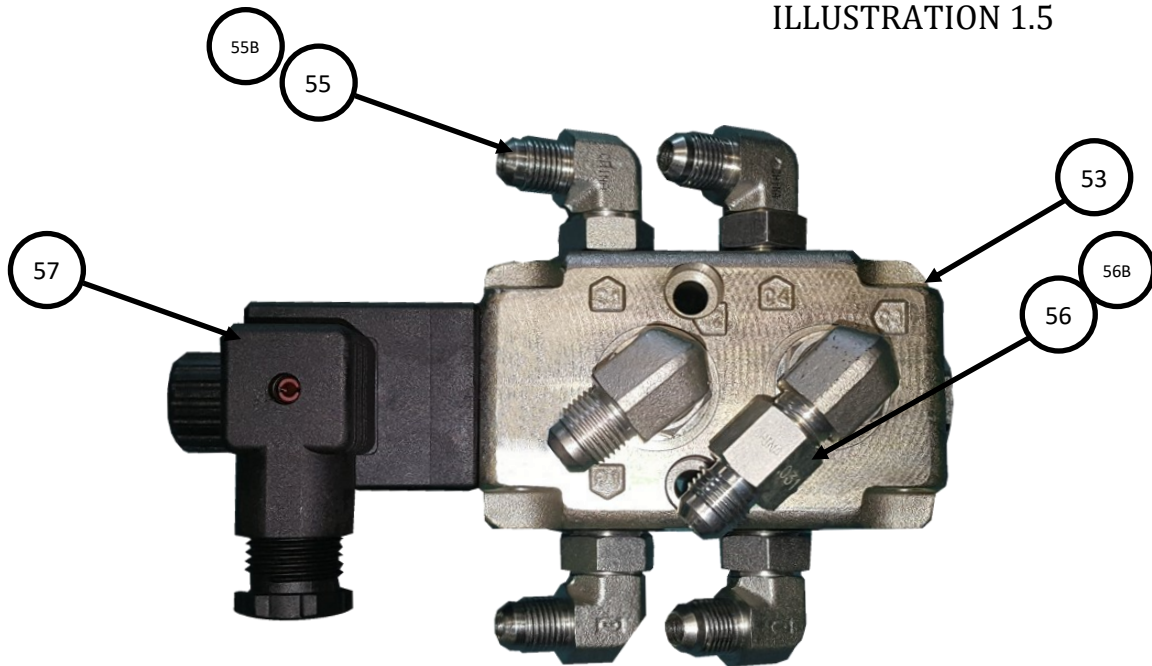


Illustration may vary from actual product.

**8: REPLACEMENT PARTS, HEAD, T1030, T1035, T4000, T4010**

## 8.06 REPLACEMENT PARTS LIST

ITEM #	PART #	ILL. #	DESCRIPTION	QTY.
1	B420210	1.6	KTS BODY	1
2	B420211	1.6	LARGE ARM	1
3	B420212	1.6	SMALL ARM	1
4	B420213	1.6	PIN LOCKING ARMS MAIN HINGE	2
5	B420214	1.6	PIN SMALL ARM TRANSFER	1
6	B420215	1.6	CYLINDER HC70X40-230	1
6b	B420216	1.6	SEAL KIT	1
7	B420217	1.6	BUSHING 30/34X30 ISO 3547	10
8	B420218	1.6	ZERK M6 STRAIGHT	9
9	B420219	1.6	BOLT M12X25	2
10	B420220	1.6	NUT M24	2
11	B420221	1.6	WASHER A13	2
12	B420222	1.6	WASHER A25	2
13	B420223	1.6	BOLT M6 X 80	2
14	B420224	1.6	NUT M6	2
15	B420225	1.6	ADAPTOR PLATE ROTATOR	1
16	B420148	1.6	5/8 -11 X 2 1/2" BOLT G8	6
17	B420151	1.6	5/8 -11 NUT G8	6
18	B420229	1.6	KTS BACKER PLATE	1
19	B420178	NO ILL.	FITTING BULKHEAD 8MJIC - 8MJIC	2
20	B420291	NO ILL.	HOSE 53" FEEDER ASSEMBLY 8FJIC TO 8FJIC 1/2"	2
21	B420292	NO ILL.	HOSE 56" SUPPLY ASSEMBLY 1/2" 8MP TO 8FJIC 90SHORT	2
22	B420293	NO ILL.	HOSE 51" FEEDER PROTECTIVE COVER	2
23	B420340	NO ILL.	FITTING 8MJIC - 8FJIC 90 DEG	1
24	B420477	NO ILL.	FITTING 6MBSPP-8MJIC 90 DEG	1
25	B420562	NO ILL.	FITTING 6MBSPP - 8MJIC	1
26	B427010	1.7	ROTATOR 3 TON	1
27	B420543P	1.7	GUARD, BALROTATOR 3 TON BLACK PAINT	1
28	B100033	1.7	24MM X 110MM BOLT (3 TON BALROTATOR TO HEAD)	1



## 8: REPLACEMENT PARTS, HEAD, T1030, T1035, T4000, T4010

### 8.07 REPLACEMENT PARTS BREAKOUT ILLUSTRATION

ILLUSTRATION 1.6

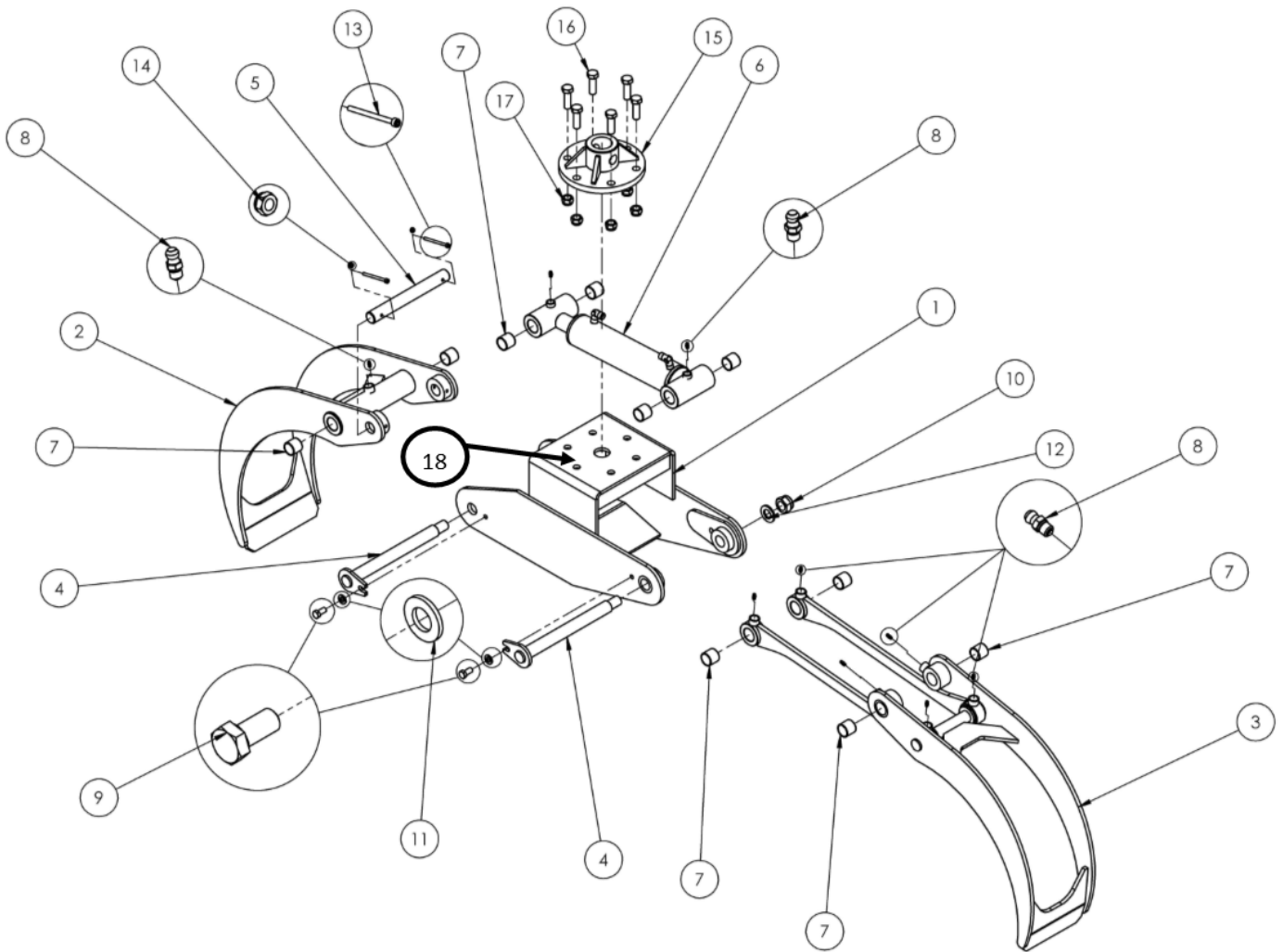


Illustration may vary from actual product.

**8: REPLACEMENT PARTS, T4000, T4010**

## 8.08 REPLACEMENT PARTS LIST

ITEM #	PART #	ILL. #	DESCRIPTION	QTY.
67	B4270210	1.7	GRAPPLE 53" G21H HEAD	1
68	B420105P	1.7	HANGER HD	1
69	B100115	1.7	1" X 6 1/2" BOLT G8 (HD HANGER TO KNUCKLE)	1
70	B420643	1.7	CLAMP HOSE 1/2" PLASTIC, ONE HOSE, TWO PIECES	3
71	B420567	1.7	1/4" X 2 1/2" BOLT HEX HEAD	4
72	B420644	1.7	CLAMP HOSE 1/2" STEEL TOP SINGLE	2
73	B420148	1.7	5/8" X 2 1/2" BOLT G8	6
74	B420149	1.7	5/8" WASHER SAE G8	12
75	B420414	1.7	5/8" NUT TOP LOCK, CUTTING EDGE	6
4	B100006	1.1	1" WASHER USS G8	8
5	B100004	1.1	1" NUT TOP LOCK	2
76	B420178	NO ILL.	FITTING BULKHEAD 8MJIC - 8MJIC	2
77	B420304	NO ILL.	HOSE 61" 1/2" HOSE FEEDER ASSEMBLY 8JIC - 8JIC	2
78	B420307	NO ILL.	HOSE 59" FEEDER PROTECTIVE COVER	2
79	B420306	NO ILL.	HOSE 72" 1/2" HOSE SUPPLY 1/2" MP - 8FJIC-90 DEG LONG	2
80	B420477	NO ILL.	FITTING 6MBSPP-8MJIC 90 DEG	1
81	B420562	NO ILL.	FITTING 6MBSPP - 8MJIC	1
82	B420340	NO ILL.	FITTING 8MJIC - 8FJIC 90 DEG	1
83	B170017	1.4/1.5	DIVERTER 6 WAY VALVE	1
84	B420466	1.7	HOSE 42" X 3/8 HOSE, 6FJIC 90 DEG TO 6FJIC DIVERTER	2
85	B420467	1.7	HOSE 44" X 3/8 HOSE, 6FJIC 90 DEG TO 6FJIC DIVERTER	2
86	B420465	1.7	HOSE 74" X 3/8" SUPPLY ASSEMBLY 6FJIC - 1/2" MP	2
87	B170004	NO ILL.	FLAT MALE CONNECTOR (VARIES DEPENDING ON LOADER MFG.)	1
88	B170005	NO ILL.	FLAT FEMALE CONNECTOR (VARIES DEPENDING ON LOADER MFG.)	1
89	B420117	NO ILL.	RECEIVER HITCH HD YELLOW PAINT	1
90	B420226	1.7	KNUCKLE WELDMENT BMGX, HD	1
91	B420166	NO ILL.	1/2" X 5" BOLT G8 DRILLED	1
92	B427010	1.7	ROTATOR 3 TON	1
93	B420543P	1.7	GUARD, BALTRATOR 3 TON	1
94	B100033	1.7	24MM X 110MM BOLT (3 TON BALTRATOR TO HEAD)	1

## 8: REPLACEMENT PARTS, T4000, T4010

### 8.09 REPLACEMENT PARTS BREAKOUT ILLUSTRATION

ILLUSTRATION 1.7

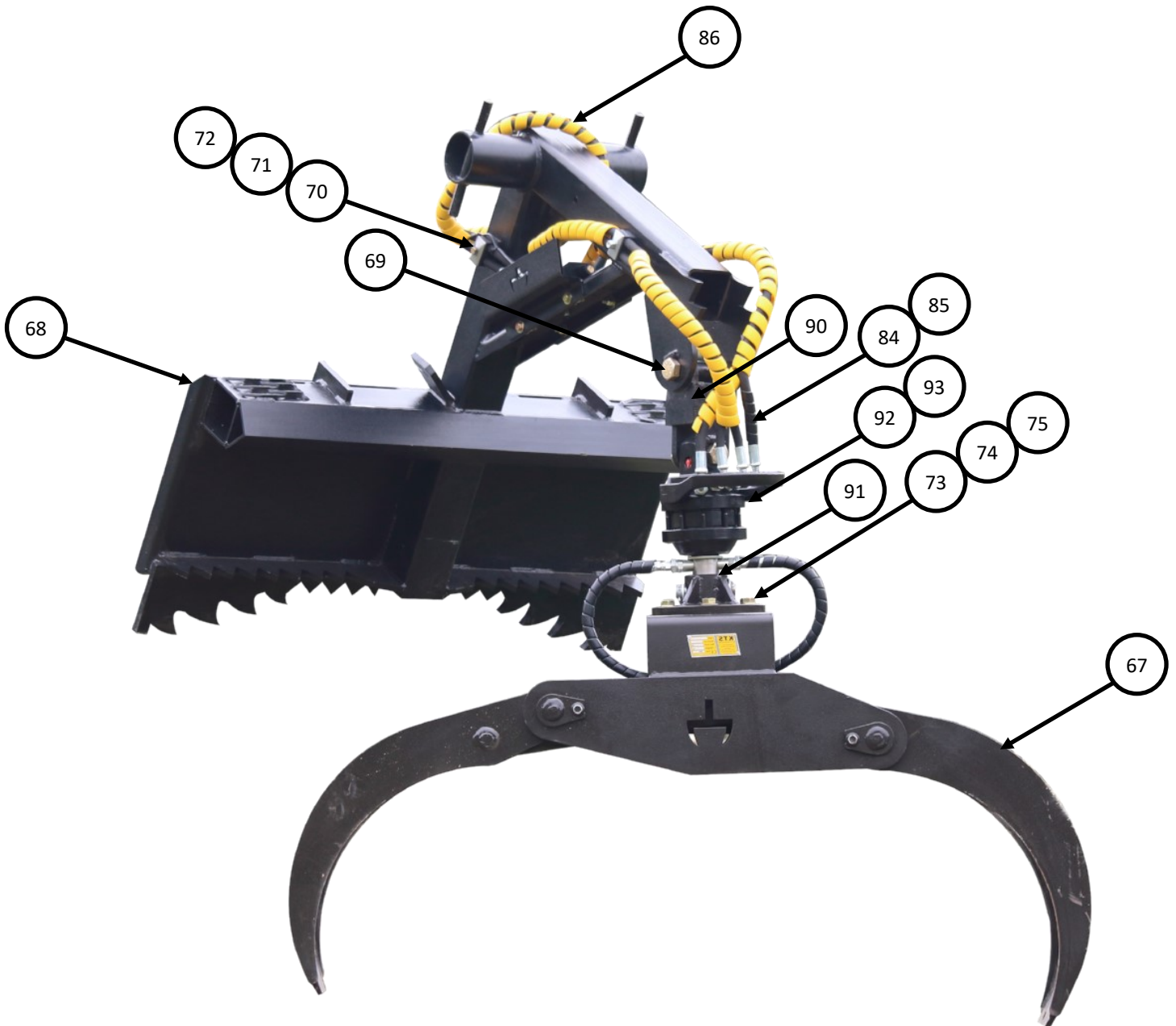


Illustration may vary from actual product.

**8: REPLACEMENT PARTS, T5000, T6000**

## 8.10 REPLACEMENT PARTS LIST

ITEM #	PART #	ILL. #	DESCRIPTION	QTY.
95	B420190	1.8	GRAPPLE VALBY GRAPPLE & R45 VALBY	1
96	B170017	1.4/1.5	DIVERTER 6 WAY VALVE	1
97	B150090	NO ILL.	SPIRAL WRAP BLACK 20MM (3/4")	1
98	B170004	1.8	FLAT FACE MALE CONNECTOR / COUPLER 1/2" FP	1
99	B170005	1.8	FLAT FACE FEMALE CONNECTOR / COUPLER 1/2" FP	1
100	B170030P	1.8	BRACKET BULKHEAD ANGLE (CEO/BOSS 4 HOLES)	1
101	B420025P	1.8	KNUCKLE CEO	1
102	B420027P	1.8	HANGER CEO	1
103	B420069P	1.8	GUARD, HOSE CEO/BOSS	1
104	B420129h	1.8	CLAMP HOSE 1/2" PLASTIC, TWO HOSE	2
105	B420130h	1.8	CLAMP HOSE 1/2" STEEL TOP TWO HOSE	1
106	B100032	1.8	24MM NUT	1
107	B100035	1.8	24MM LOCK WASHER	1
108	B170025	1.8	24MM X 6.25~6.5" BOLT G8	1
109	B420178	1.8	FITTING BULKHEAD 8MJIC - 8MJIC	4
55 B	B420342	1.5	FITTING 8MB - 8MJIC 45 DEG (SEE DIVERTER ILL. #55 B, ON 1.4)	6
111	B420409	1.8	HOSE 30.0" 8FJIC - 8FJIC 90 DEG ELBOW SHORT DROP	4
112	B420188	1.8	HOSE 46.5"-AM08-106HY-8-8-106HY-8-8 CROSS/BULK..	4
113	B420189	1.8	HOSE 87" SUPPLY -AM08-106HY-8-8-101HY-8-8 SUPPLY HOSE	2
114	B420202	NO ILL.	GRAPPLE VALBY GRAPPLE & R6 ROTATOR 6 TON	1
115	T5060P	NO ILL.	TREE PUSHER CEO/BOSS	1
116	T5060B	NO ILL.	ROPE BOLLARD CEO/BOSS	1
117	B420036P	NO ILL.	KNUCKLE BOSS	1

## 8: REPLACEMENT PARTS, T5000, T6000

### 8.11 REPLACEMENT PARTS BREAKOUT ILLUSTRATION

ILLUSTRATION 1.8

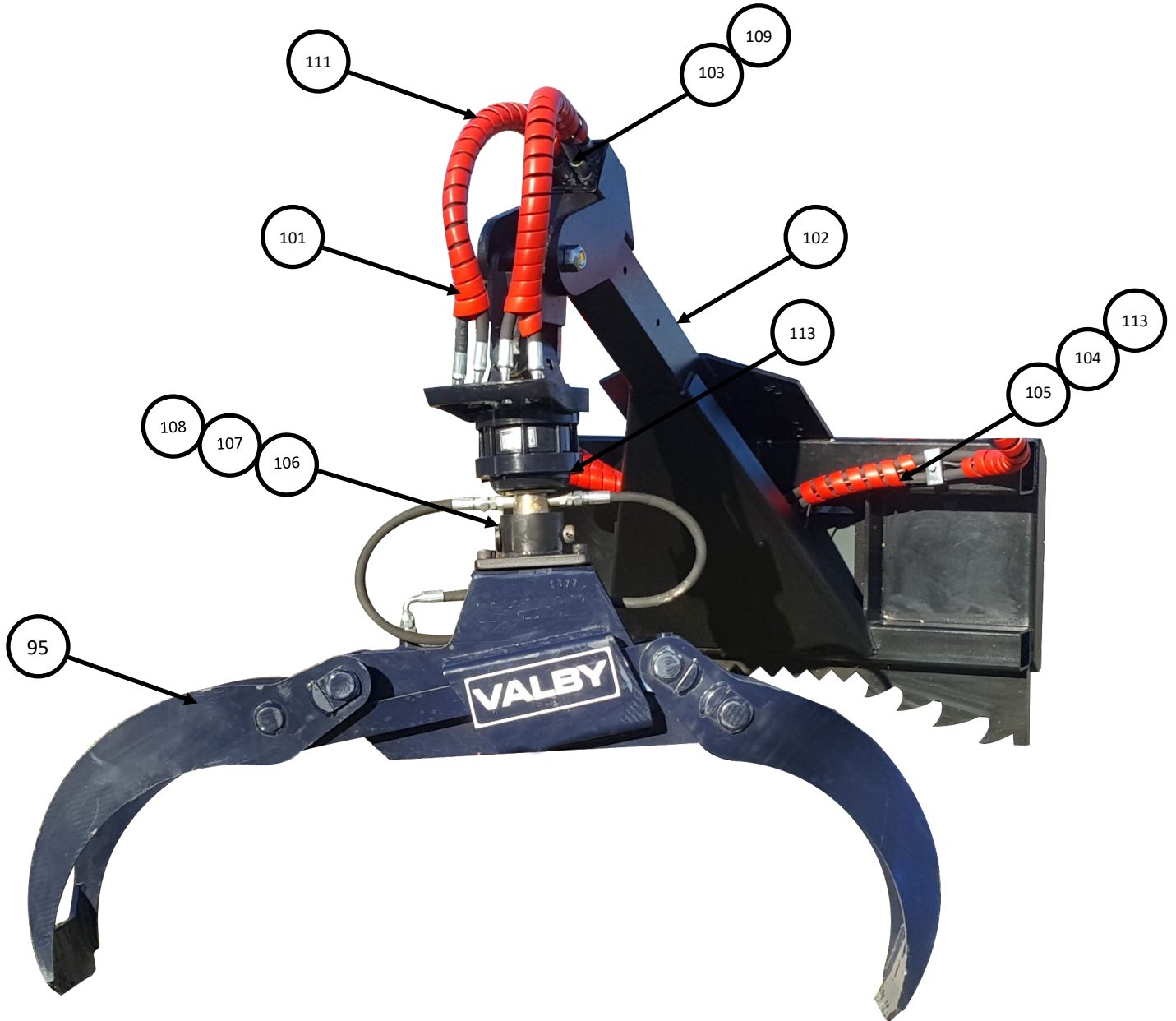


Illustration may vary from actual product.

**8: REPLACEMENT PARTS, ROTATOR, T1036**

## 8.12 REPLACEMENT PARTS LIST

ITEM #	PART #	ILL. #	DESCRIPTION	QTY.
28	B120000	1.9	BMGR HANGER (VARIES DEPENDING ON LOADER MFG.)	1
29	B420854	1.9	FITTING 6MFFS - 6MBSPP (GR30Q ROTATOR)	6
30	B420860	1.9	HOSE 36" 3/8 HOSE, 6FFFS 90 DEG TO 6FFFS	4
31	B420858	1.9	HOSE 19" 6FFFS - 6FFFS, 3/8"	1
32	B420666	1.9	FITTING 6MB - 6MFFS	2
33	B420859	1.9	HOSE 21" 6FFFS - 6FFFS, 3/8"	1
34	B421001	1.9	GRAPPLE ARM SMALL BMG X2 WITH HARDOX 450	1
35	B427010	1.9	ROTATOR 3 TON BALROTORS GR30Q	1
36	B420144P	1.9	KNUCKLE ROTATOR WELDMENT	1
37	B420848	1.9	BRACKET ROTATOR TO GRAPPLE BMGXR2	1
38	B421003	1.9	BMG X2 BODY WITH HARDOX 450	1
39	B420364	1.9	1/2" X 2" BOLT G8	4
40	B420335	1.9	1/2" NUT NYLOCK	4
41	B380007-USS	1.9	1/2" WASHER USS G8	4
42	B420355	1.9	1" WASHER SAE G8	2
43	B420366	1.9	CYLINDER 2X8 PILOT CHECK VALVE CYLINDER	1
44	B420881	1.9	25MM X 116MM PIN (GR30Q BALROTATOR TO HEAD)	1
45	B420657	1.9	20MM NYLOCK	1
46	B421002	1.9	GRAPPLE ARM LARGE BMG X2 WITH HARDOX 450	1
47	B380010	1.9	3/8" X 1 1/2" BOLT G8	4
48	B380011	1.9	3/8" WASHER FLAT G8	8
49	B380012	1.9	3/8" NUT NYLOCK G8	4
50	B420543P	1.9	GUARD, BALROTATOR 3 TON	1
51	B150090	1.9	SPIRAL WRAP BLACK 20MM (3/4")	27
52	B120029P	1.9	DIVERTER GUARD	2
53	B420865	NO ILL	HOSE 74" X 3/8" SUPPLY ASSEMBLY 6FFFS - 1/2" MP	2

## 8: REPLACEMENT PARTS, ROTATOR, T1036

### 8.13 REPLACEMENT PARTS BREAKOUT ILLUSTRATION

ILLUSTRATION 1.9

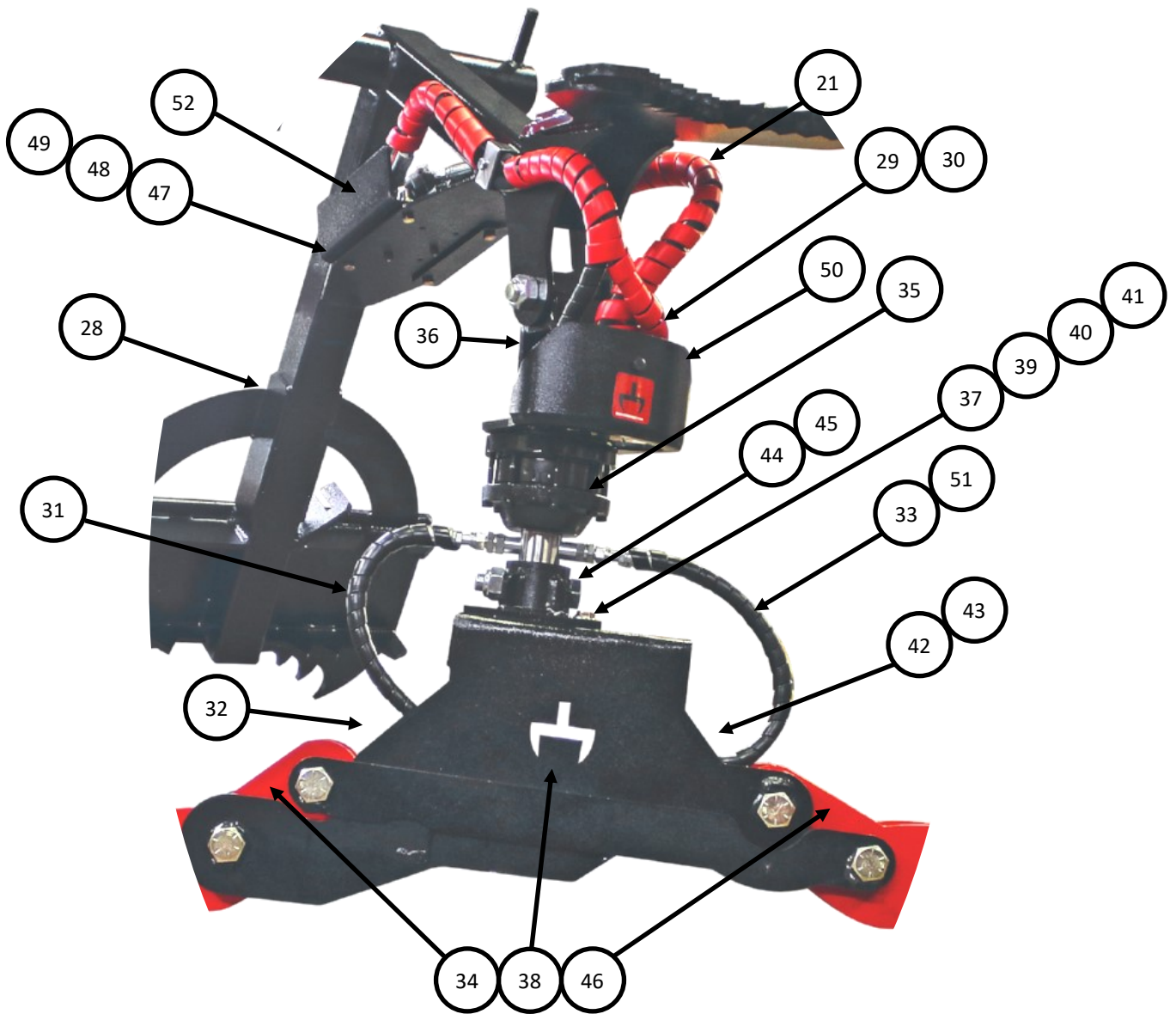


Illustration may vary from actual product.

## 9: EQUIPMENT FEATURE WARNINGS

### 9.00 UNIQUE BRANCH MANAGER™ FEATURES



#### ROPE BOLLARD

Rated for 200 lbs. Never exceed your equipment operating capacity



#### SAW SCABBARDS

Only meant for transport  
NEVER use while dragging  
Brush and logs



#### TREE PUSHER

Never exceed your machine's operating Capacity



#### LOG DOGS

Never exceed your machine's operating Capacity



#### RECEIVER HITCH

Never exceed your machine's operating Capacity



Round stock inserts into the bottom of Grapple Hanger—Pin it In. Hook trailer safety chain to safety lock slot. **DO NOT USE ON INCLINES OR HILLS**



# 10: EQUIPMENT SERVICE LOG

## 10.0 SERVICE LOG NOTES

Date: \_\_\_\_\_ Hours \_\_\_\_\_ Service Description

-----  
-----  
-----

Date: \_\_\_\_\_ Hours \_\_\_\_\_ Service Description

-----  
-----  
-----

Date: \_\_\_\_\_ Hours \_\_\_\_\_ Service Description

-----  
-----  
-----

Date: \_\_\_\_\_ Hours \_\_\_\_\_ Service Description

-----  
-----  
-----

Date: \_\_\_\_\_ Hours \_\_\_\_\_ Service Description

-----  
-----  
-----

Date: \_\_\_\_\_ Hours \_\_\_\_\_ Service Description

-----  
-----  
-----

# 10: EQUIPMENT SERVICE LOG

## 10.0 SERVICE LOG NOTES

Date: \_\_\_\_\_ Hours \_\_\_\_\_ Service Description

-----  
-----  
-----

Date: \_\_\_\_\_ Hours \_\_\_\_\_ Service Description

-----  
-----  
-----

Date: \_\_\_\_\_ Hours \_\_\_\_\_ Service Description

-----  
-----  
-----

Date: \_\_\_\_\_ Hours \_\_\_\_\_ Service Description

-----  
-----  
-----

Date: \_\_\_\_\_ Hours \_\_\_\_\_ Service Description

-----  
-----  
-----

Date: \_\_\_\_\_ Hours \_\_\_\_\_ Service Description

-----  
-----  
-----

# 11: Limited Manufacturer Warranty Policy

## 11.0 WARRANTY POLICY INFORMATION (ONE YEAR)

### Branch Manager L.L.C.- Limited Manufacturer Warranty Policy (One Year)

Branch Manager L. L. C., the Manufacturer, to be referred to here after, as “Seller” in this document (within section 11), warrants the manufactured products for one (1) year on welded connections, to the original purchaser or end user, to be referred to as the “Buyer” in this document (within section 11). This is limited to components that are manufactured by the Seller, not purchased from other manufactures. At the time of a warranty claim, the Seller will provide information stating whether the parts are considered Seller “OEM” or “purchased” from other manufactures (NON-OEM).

Seller warrants equipment of its own manufacture for a period of one (1) year from date of shipment to the Buyer, to the extent that Seller will, at its option repair or replace, f.o.b. point of manufacture, any such products if by reason of faulty material or workmanship, they prove defective under normal use and service and when properly installed, provided, however, that Seller does not in any manner whatsoever warrant seals or packing materials in equipment handling special or corrosive fluids operating at unusual temperatures or pressures, improper lubrication, misapplication, lighting, improper voltage supply, deterioration by chemical action, detrimental conditions, and wear caused by the presence of abrasive materials, bent components or products, do not constitute defects. EXCEPT TO THE EXTENT OF THE DESCRIPTIONS CONTAINED HEREIN, OR AS SPECIFIED ON SELLER'S ORDER ACKNOWLEDGMENT, THE FOREGOING IS IN LIEU OF ALL OTHER WARRANTIES, EXPRESS OR IMPLIED, INCLUDING THOSE OF MERCHANTABILITY OR FITNESS FOR ANY PURPOSE NOT EXPRESSLY SET FORTH HEREIN.

This warranty shall not apply to any equipment which has been subjected to misuse, neglect or accident, or has been altered or tampered with, or on which corrective work has been done without Seller's specific written, consent. Seller does not recommend and will not assume any responsibility for rebuilding, repairing, special plating, coating, welding, or heat treating done outside Seller's plant by or at the request of Buyer. This warranty shall not apply to repairs completed by dealer(s), or any other repairs without prior written approval from Seller. Products not of Seller's manufacture, and included with Seller's original equipment, and applied to Seller's products are not warranted in any way by Seller but carry only the manufacturer's warranty, if any. This warranty will be extended to the End User, with valid, proof of purchase, for new Seller product(s). This warranty does not cover used products, or products that have been purchased from unauthorized re-sellers (product dealers that are not approved by Seller and or private party sales, are unauthorized re-sellers).

UPON THE BUYER CONSIDERING A REPAIR THAT MAY CONSTITUTE AS A WARRANTY CLAIM, IT IS REQUIRED THAT THE BUYER CONSULT WITH THE SELLER PRIOR TO PERFORMING ANY WORK ON SELLER PRODUCTS TO PREVENT VOIDING THE WARRANTY. IF THIS IS NOT COMPLETED, THE BUYER ASSUMES COMPLETE RESPONSIBILITY FOR THE COST OF THE ENTIRE REPAIR. WARRANTIED PARTS ARE TO BE RETURNED TO THE SELLER IF REQUIRED BY THE SELLER AT THE TIME OF THE WARRANTY REQUEST BY THE BUYER.

Should you have questions on this policy or would like to make a warranty claim please contact us at:

**Branch Manager L. L. C.**  
**PO BOX 440 Champlin, MN 55316**  
**Phone: 763-421-6147**  
**E-Mail: [info@branchmanagerusa.com](mailto:info@branchmanagerusa.com)**

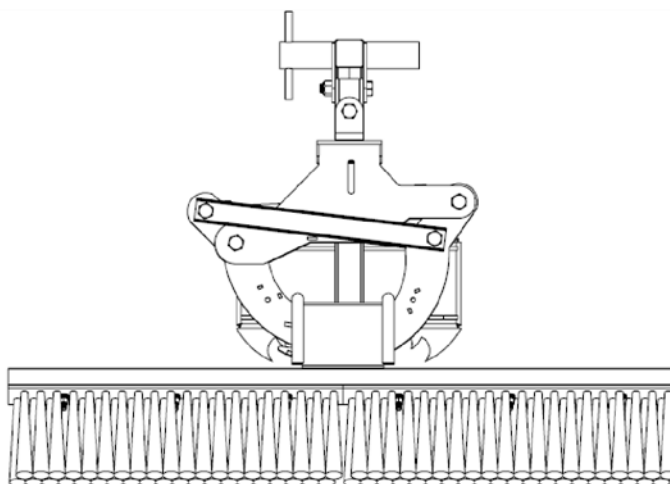
Your Branch Manager™ Mini Grapple (T1001 & T1010) is compatible with the Branch Manager™ Rake and Branch Manager™ Mini Grapple Scoops!

We have some really AWESOME product videos on  YouTube



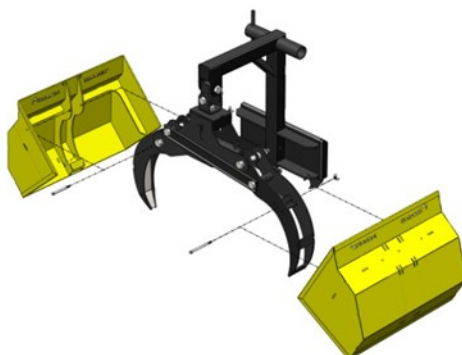
### **T1070 BMG Rake**

Quick Grab! Sweeps grass, streets, snow



### **T1060 BMG Clamshells**

Quick Attach! Grab, don't doze on lawns



# Branch Manager™