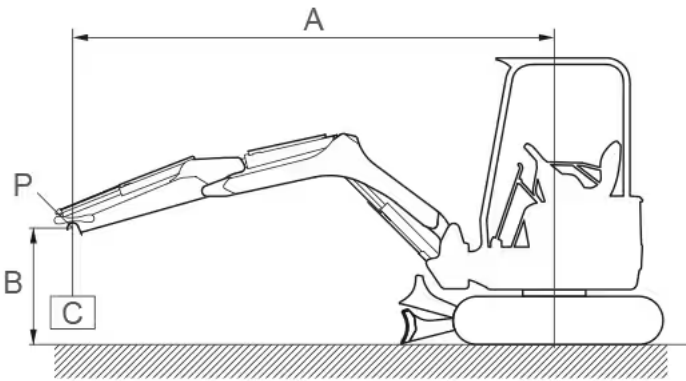


# ViO17

Top Efficiency Maintenance **Spec**

## Spec

### Lifting Capacity



With:

Canopy Type

Rubber Track

Without : Bucket

A: Reach from swing center line [m<in.>]

B: Load point height [m<in.>]

C: Lifting load [kg<lbs.>]

P: Load point

: Rating over front

: Rating over side or 180 degrees at the maximum width









### Blade on ground

Unit : kg <

A [m. <in>]	Max.		2.5 <98.4>		2.0 <78.7>		Min.	
B [m. <in>]								
2.0 <78.7>	230 * <507>	340 <749>	320 * <705>	320 * <705>	-	-	-	-
1.5 <59.1>	210 * <462>	350 <771>	360 * <793>	370 * <815>	430 * <947>	420 * <925>	-	-
1.0 <39.4>	200 * <440>	350 <771>	300 * <661>	440 <970>	420 * <925>	590 <1300>	530 * <1168>	770 <1697>
0.5 <19.7>	190 * <418>	370 <815>	280 * <617>	500 <1102>	380 * <837>	710 <1565>	480 * <1058>	920 <2028>
<0>	200 * <440>	380 <837>	270 * <595>	530 <1168>	370 * <815>	740 <1631>	590 * <1300>	970 <2138>
-0.5 <-19.7>	220 * <485>	400 <881>	270 * <595>	520 <1146>	370 * <815>	720 <1587>	-	-
-1.0 <-39.4>	270 * <595>	400 <881>	280 <617>	440 <970>	380 * <837>	620 <1366>	-	-

## Blade above ground

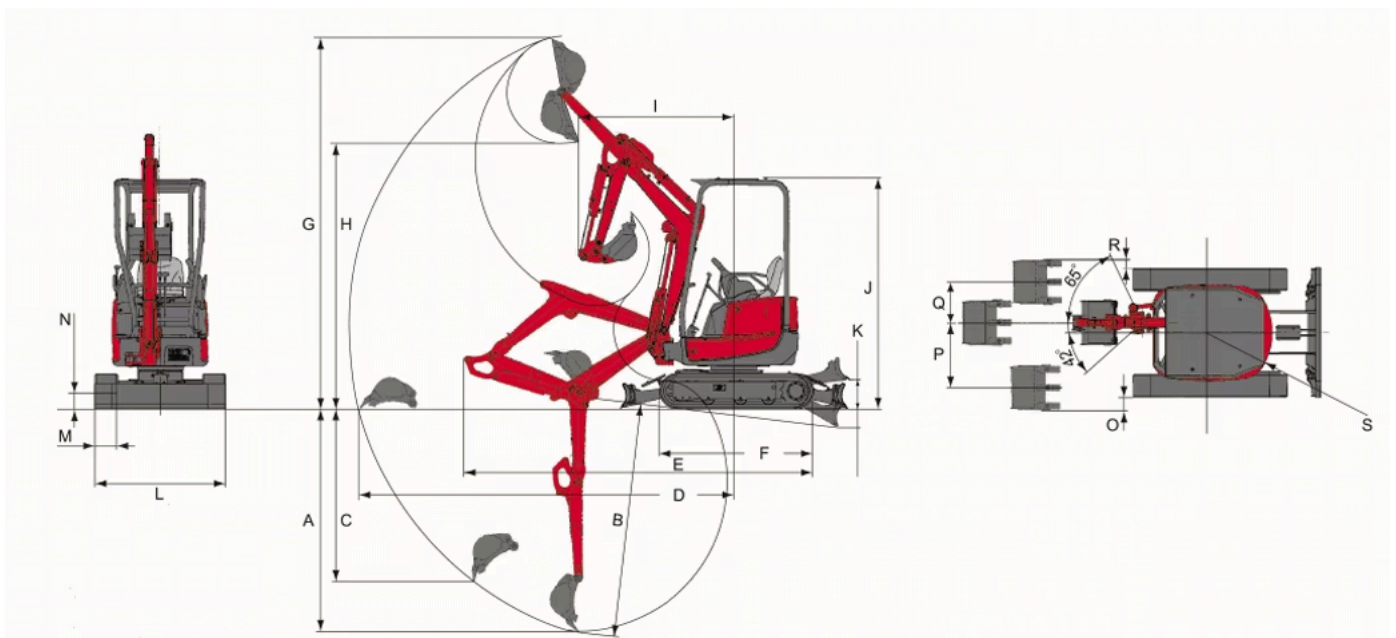
Unit : kg <

A [m. <in>]	Max.		2.5 <98.4>		2.0 <78.7>		Min.	
B [m. <in>]								
2.0 <78.7>	230 * <507>	230 <507>	320 <*705>	320 * <705>	-	-	-	-
1.5 <59.1>	200 <440>	200 <440>	350 <771>	300 * <661>	420 * <925>	420 * <925>	-	-
1.0 <39.4>	190 <418>	200 <440>	290 <639>	300 <661>	410 <903>	430 <947>	530 <1168>	530 <1168>
0.5 <19.7>	190 <418>	190 <418>	280 <617>	280 <617>	380 <837>	390 <859>	480 <1058>	500 <1102>
<0>	200 <440>	190 <418>	280 <617>	260 <573>	370 <815>	350 <771>	590 <1300>	590 <1300>
-0.5 <-19.7>	220 <485>	200 <440>	270 <595>	250 <551>	360 <793>	350 <771>	-	-
-1.0 <-39.4>	260 <573>	260 <573>	270 <595>	270 <595>	360 <793>	360 <793>	-	-

The lifting load with the asterisk <\*> mark is limited by hydraulic lifting capacity rather than tipping.

The lifting capacity shown in the above list is based on the ISO Standard No. 10567 and represents either 87% of hydraulic lifting capacity or 75% of the tipping load, which is smaller.

## Dimensions



Downloads



Dealer Locator



Contact

Follow Us



ViO17-1	2210	2310	1800	3820	3730	3460	2670	1120	1540	1220	200	265	2320
N	O	P	Q	R	S	T	U	V	W	X	Y	Z	a
1540 (1390)	1010	2620	3690	1280/950	1050/720	230	165	540	500	125/290	85/250	450	640

## Specifications

Model			ViO17-1
Type			Canopy
Operating Weight	Rubber track		kg <lbs>
	Steel track		kg <lbs>
Engine	Type		-
	Model		-
	Rated Output		kW <hp>/ rpm
Performance	Bucket capacity, Standard (ISO heaped)		cu.m <cu.ft>
	Max Digging Force	Bucket	kN <lbF>
		Arm	kN <lbF>
	Traveling Speed, High / Low		km / h <MPH>
	Swing Speed		RPM
Boom Swing Angle, [L / R]		degrees	
Ground Contact Pressure	Rubber track		kPa <PSI>
	Steel track		kPa <PSI>
Hydraulic System	Pump Capacity		L / min <GPM>
	Main Relief Set Pressure		MPa <PSI>
Undercarriage	Track type		-
Blade Dimensions	Width x Height		mm <ft-in>
Fuel tank capacity			L <Gals>

## Hydraulic P.T.O.

Model	ViO17-1		
Output	MPa <PSI>	L / min <GPM>	
		2200RPM	1250RPM
Specification Combined Flow, Double Actions	16.7 <2442>	30.8 <8.1>	17.5 <4.6>



Downloads



Dealer Locator



Contact

Follow Us





Excellent Footwork & Armwork

Construction



MADE FROM THE HEART

Compact Equipment

Share this page

## Inquiries and Support

Catalog Download

FAQ

Dealer Locator

Contact

Home > Compact Equipment > Excavators > Vi017 > Spec

Social Media



> All official accounts

> **Agriculture**

- > Smart Agriculture
- > Tractors
- > Combine Harvesters
- > Rice Transplanters
- > Tillers

> **Recreational Marine**

- > Marine Engine
- > Recreational Boat
- > Premium Cruise
- > Marine Equipment

> **Energy Systems**

- > Gas-Engine Heat Pump (GHP)
- > Cogeneration Systems
- > Large Generators
- > Power EPC

> **Power Generation**

- > Solutions
- > Products
- > Project References

> **Compact Equipment**

- > Excavators
- > Wheel Loaders
- > Carriers

> **Industrial Engine**

- > Products
- > New Products
- > Fundamental Research
- > Product Development

> **Dealer Locator**

> **Support / Contact**

- > Documents
- > FAQ
- > Contact
- > After Sales Service

> **About Us**

- > Message from the President

› **Marine Commercial**

- › Propulsion Engines (High Speed)
- › Propulsion Engines (Medium Speed)
- › Auxiliary Engines

› **Compact Power Products**

- › Diesel Generators
- › Diesel / Pumps
- › Diesel / Welders
- › Diesel / Lighting Towers

› Technology

- › Company Profile
- › History
- › CSR / Environment
- › Sports
- › Financial Results
- › Y media

› **YANMAR SYNERGY SQUARE**

› **YANMAR TOKYO**

 [Select Region](#)

[Privacy Policy](#) [Cookie Policy](#) [Terms of Use](#) [Gray Market Notice](#)

Copyright © YANMAR HOLDINGS CO., LTD. All rights reserved.



Downloads



Dealer Locator



Contact

Follow Us

