



# Cat<sup>®</sup> D5K2

## TRACK-TYPE TRACTOR

### FEATURES:

- **Slope Indicate** – New grade control feature provides you slope of blade in cross slope direction and mainfall (fore/aft) direction without having to estimate.
- **Slope Assist** – New optional grade control feature which helps you more easily achieve the desired blade mainfall and cross slope automatically.
- **Stable Blade** – New blade control feature helps you obtain a finish grade with less operator effort.
- **Automatic Traction Control** – New traction control feature automatically reduces track slip without having to lift blade providing improved productivity and reduced undercarriage wear for lower operating costs.
- **Eco Mode** – New engine throttle settings reduce fuel consumption up to 20% to save you more money.
- **Heated and Ventilated Seat** – Experience a new level of comfort in all climates with the new optional heated and ventilated air suspension seat.
- **Power Pitch Blade** – This option lets the operator easily adjust the blade pitch to optimize productivity.
- **Engine** – Cat<sup>®</sup> C4.4 ACERT™ diesel engine meets U.S. EPA Tier 4 Final/ EU Stage IV/Japan 2014 (Tier 4 Final) emission standards.
- **Heated, Seat-Mounted Controls** – Heated joysticks (optional) offer even greater comfort in cold climates.
- **AccuGrade™** – Optional grade control system enables operators to cut and fill to grade with increased accuracy, minimizing the need for traditional stakes and grade checkers. Large, 177 mm (7"), AccuGrade monitor is built into the machine's dash for easy viewing during operation.
- **Undercarriage** – Choice of undercarriage to give you the lowest costs per hour. Select either the standard sealed and lubricated track (SALT) undercarriage or the innovative SystemOne™ undercarriage.

## Specifications

### Engine

Engine Model	Cat C4.4 ACERT	
Rated Net Power @ 2,200 rpm		
SAE J1349	77.6 kW	104 hp
ISO 9249/EEC 80/1269	77.6 kW	104 hp
Bore	105 mm	4.13 in
Stroke	127 mm	5 in
Displacement	4.4 L	269 in <sup>3</sup>

- Engine meets Tier 4 Final/StageIV/Japan 2014 (Tier 4 Final) emission standards.

### Weights

Operating Weight – XL	9214 kg	20,313 lb
Operating Weight – LGP	9522 kg	20,992 lb
Operating Weight – LGP, 762 mm/30 in	9726 kg	21,442 lb

- Specifications shown are for machine equipped with dozer blade, canopy ROPS, back-up alarm, operator, coolant, lubricants and full fuel tank.

### Cab

Sound Levels:		
ISO 6396:2008	77 dB(A)	
SAE J1166 FEB2008	78 dB(A)	
ROPS	SAE J397-OCT95, SAE J1040-May94, ISO 3471-94, ISO 3164 2008	
FOPS	SAE J231-JAN81, ISO 3449 2005 Level III	

### Transmission

Drive Pumps	1	
Track Motors	2	
Relief Valve Settings	48 500 kPa	7,033 psi
Maximum Travel Speed – Forward	9 km/h	5.6 mph
Maximum Travel Speed – Reverse	10 km/h	6.2 mph

### Undercarriage

Number of Rollers (each side)	7	
Number of Shoes (each side) – Sealed and Lubricated Track (SALT) Undercarriage	40	
Number of Shoes (each side) – SystemOne Undercarriage	36	
Shoe Width – XL	510 mm	20 in
Shoe Width – LGP	660 mm	26 in
Shoe Width – LGP, 762 mm (30 in)	762 mm	30 in
Length of Track on Ground – XL	2310 mm	91 in
Length of Track on Ground – LGP	2310 mm	91 in
Length of Track on Ground – LGP, 762 mm (30 in)	2310 mm	91 in
Track Gauge – XL	1600 mm	63 in
Track Gauge – LGP	1750 mm	69 in
Track Gauge – LGP, 762 mm (30 in)	1860 mm	73.2 in
Ground Contact Area – XL	23 562 cm <sup>2</sup>	3,652 in <sup>2</sup>
Ground Contact Area – LGP	30 492 cm <sup>2</sup>	4,726 in <sup>2</sup>
Ground Contact Area – LGP, 762 mm (30 in)	35 574 cm <sup>2</sup>	5,514 in <sup>2</sup>
Ground Pressure – XL	38.6 kPa	5.6 psi
Ground Pressure – LGP	31.1 kPa	4.5 psi
Ground Pressure – LGP, 762 mm (30 in)	27.1 kPa	3.93 psi



# D5K2 Track-Type Tractor

## Service Refill Capacities

Fuel Tank	195 L	51.5 gal
Crankcase and Filter	11 L	2.91 gal
Final Drives, XL (each side)	10 L	2.6 gal
Final Drives, LGP (each side)	10 L	2.6 gal
Cooling System	22.4 L	5.92 gal
Transmission/Hydraulic Tank	59.5 L	15.7 gal
Diesel Exhaust Fluid (DEF) Tank	19 L	4.9 gal

## Hydraulic Controls

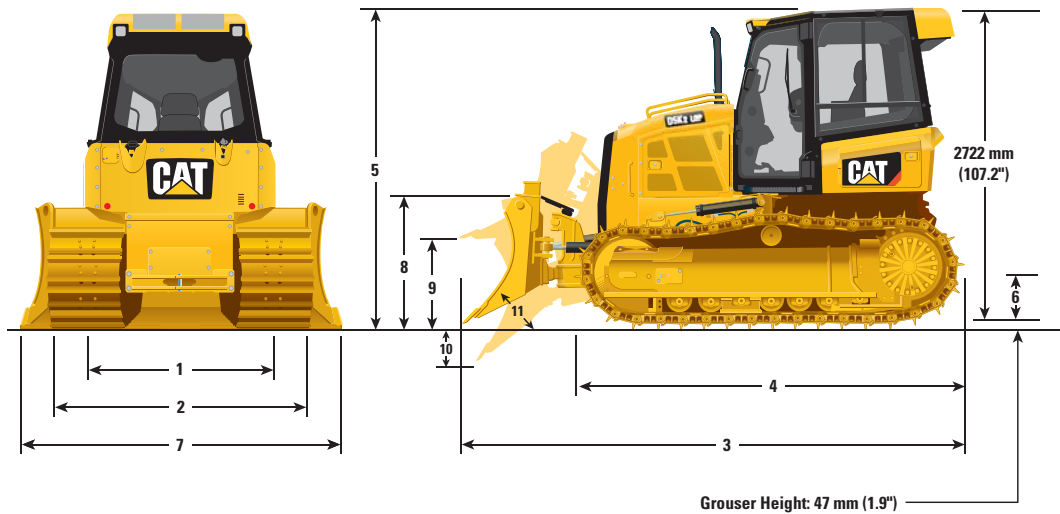
Pump Output	68.0 L/min	17.7 gal/min
Relief Valve Settings	20 600 kPa	2,988 psi

## Ripper

Type	Parallelogram	
Number of Shanks	3	
Maximum Digging Depth	337.5 mm	13.3 in
Maximum Reach at Ground Line	555 mm	21.9 in
Maximum Ground Clearance Under Tip	448 mm	17.6 in
Overall Width	1710 mm	67.3 in
Height	165 mm	6.5 in
Weight	554 kg	1,222 lb

## Winch

Weight	610 kg	1,345 lb
Winch Drive	Hydrostatic	
Control	Hydraulic	
Speed	Variable	
Winch Length	705 mm	27.76 in
Overall Width	741 mm	29.2 in
Drum Diameter	254 mm	10 in
Drum Width	274 mm	10.8 in
Throat Clearance	171.5 mm	6.75 in
Rope Diameter – recommended	16 mm	0.63 in
Rope Diameter – optional	19 mm	0.75 in
Drum Capacity – recommended cable	113 m	371 ft
Drum Capacity – optional cable	78 m	256 ft
Maximum Line Pull – bare drum	18 144 kg	40,000 lb
Maximum Line Pull – full drum	11 340 kg	25,000 lb
Maximum Line Speed – bare drum	40 m/min	131 ft/min
Maximum Line Speed – full drum	63 m/min	207 ft/min



## Dimensions

	XL		LGP		LGP, 770 mm (30 in) shoes	
<b>1</b> Track Gauge	1600 mm	63 in	1750 mm	68.9 in	1860 mm	73.2 in
<b>2</b> Width of Tractor (standard shoes, no blade)	2110 mm	83.1 in	2410 mm	94.9 in	2630 mm	103.5 in
<b>3</b> Overall Length (with blade)	4309 mm	170.1 in	4309 mm	169.1 in	4309 mm	169.1 in
<b>4</b> Length of Basic Tractor (without blade)	3265 mm	128.5 in	3265 mm	128.5 in	3265 mm	128.5 in
<b>5</b> Tractor Height	2769 mm	109 in	2769 mm	109 in	2769 mm	109 in
<b>6</b> Ground Clearance	332 mm	13 in	332 mm	13 in	332 mm	13 in
<b>BLADE</b>	<b>XL</b>		<b>Intermediate</b>		<b>LGP</b>	
<b>7</b> Blade Width	2782 mm	109.5 in	2921 mm	115 in	3220 mm	126.7 in
<b>8</b> Blade Height	1073 mm	42.2 in	1010 mm	39.8 in	1010 mm	39.8 in
<b>9</b> Blade Lift Height	767 mm	30.2 in	767 mm	30.2 in	767 mm	30.2 in
<b>10</b> Digging Depth	586 mm	23.1 in	572 mm	22.5 in	572 mm	22.5 in
<b>11</b> Blade Cutting Edge Angle, Adjustable	52° to 58°		52° to 58°		52° to 58°	
Maximum Tilt	402 mm	15.8 in	448 mm	17.6 in	448 mm	17.6 in
Maximum Angle (either side)	25°		25°		25°	
Blade Width at Maximum Angle	2636 mm	103.8 in	2669 mm	105.1 in	2940 mm	115.8 in
Blade Capacity (SAE)	2.19 m <sup>3</sup>	2.86 yd <sup>3</sup>	2.09 m <sup>3</sup>	2.73 yd <sup>3</sup>	2.34 m <sup>3</sup>	3.06 yd <sup>3</sup>

## STANDARD EQUIPMENT

---

### ELECTRICAL

- Alternator, 12 volt, 120 Amp, heavy duty brushless
- Alarm, backup
- Batteries (2), heavy duty, maintenance free, 2,000 CCA
- Diagnostic connector
- Horn, electric
- Lights, halogen, 2 front and 2 rear
- Starter, electric, 12 volt

### OPERATOR STATION

- ROPS/FOPS canopy
- Seat, air suspended, cloth or vinyl
- Seatbelt, retractable 76 mm (3 in)
- Foot pads, dash
- Electronic Monitoring System with:
  - Gauges for engine coolant temperature, hydraulic oil temperature and fuel level
  - Travel speed limiter, electronic
  - Engine RPM and gear display
  - Hour meter, electric
  - Engine air cleaner service indicator, electronic
  - Water-in-fuel indicator, electronic
- Slope Indicate
- Throttle switch, rotary
- Eco mode
- Controls, seat mounted, fore/aft adjustment
- Armrests, adjustable
- Mirror, rearview, inside
- Single pedal combining deceleration and braking functions
- Independent forward/reverse speed settings
- Power port, 12 volt
- Coat hook
- Storage compartment
- Cup holder
- Floor mat, rubber, heavy duty

### HYDRAULICS

- Hydraulics, 3 valve
- Load sensing hydraulics
- Single lever, three function control
- Hydraulic pump and oil
- Stable blade control

### POWER TRAIN

- Cat C4.4 ACERT diesel engine, turbocharged, Tier 4 Final/Stage IV/ Japan 2014 (Tier 4 Final) certified with aftertreatment
- Aftercooler, Air-to-Air (ATAAC)
- Aluminum bar plate cooling system (radiator, power train)
- Air cleaner with precleaner, automatic dust ejection and under-hood intake
- Dual path, closed-loop hydrostatic transmission
- Electric fuel priming pump
- Fuel/water separator
- Automatic Traction Control

### UNDERCARRIAGE

- SALT Undercarriage
- 7 roller track frame
- Track rollers, lifetime lubricated
- Carrier rollers
- Track adjusters, hydraulic
- Guards, front/rear guiding
- Master link

### OTHER STANDARD EQUIPMENT

- Cat Product Link™ PL631 Satellite/PL641 Cellular
- C-Frame, VPAT, hydraulic cylinders and lines
- Lockable engine enclosures
- Front pull device
- Rigid drawbar
- Ecology drains (engine, power train and implement oil and engine coolant)
- Scheduled oil sampling ports (engine, power train implement oil)
- Vandalism protection
- Heavy duty crankcase guard

### ANTIFREEZE

- Extended life coolant, -37° C (-35° F)

# D5K2 Track-Type Tractor

## OPTIONAL EQUIPMENT

### ELECTRICAL

- Integrated four front halogen lights, two rear halogen lights

### POWER TRAIN

- Drive, auxiliary
- Installation, winch

### UNDERCARRIAGE

- Track Pairs, XL:
  - Track, 510 mm (20 in) MS SystemOne
- Track Pairs, LGP:
  - Track, 660 mm (26 in) MS SystemOne
  - Track, 762 mm (30 in) MS SystemOne

### OPERATOR STATION

- Cab with air conditioning
- Cab, polycarbonate windows and air conditioning
- Seat, air suspension, choice of:
  - Vinyl, heated seat with heated controls
  - Cloth, heated seat with heated controls
  - Cloth, heated and ventilated seat with heated controls
- Radio, AM/FM, Bluetooth
- Sound suppression

### HYDRAULICS

- Hydraulics, 4 valve for use with ripper
- Hydraulics, 4 valve for use with winch

### GUARDS

- Guard, rear, heavy duty
- Grill, radiator, heavy duty
- Guard, track guiding, center
- Guard, track roller, full length
- Screen, rear, cab
- Screen, side, cab
- Screen, rear, canopy
- Screen, front and doors, canopy
- Sweeps, front
- Sweeps, rear

### BLADES

- VPAT XL blade
- VPAT LGP blade
- VPAT Intermediate blade

### REAR ATTACHMENTS

- Drawbar, towing
- Mounting, winch
- Ripper, parallelogram, includes three shanks and teeth

### REAR ATTACHMENT CONTROL

- Control, ripper
- Control, winch
- Control, ripper and winch

### MACHINE CONTROL AND GUIDANCE

- Installation, AccuGrade ready, includes Cat Grade Control Slope Assist
- Power Pitch blade control

### STARTING AIDS

- Heater, engine, coolant, 120 volt
- Starting aid, ether

### OTHER ATTACHMENTS

- Machine Security System

### ANTIFREEZE

- Extended life coolant, -50° C (-58° F)

### FIELD INSTALLED ATTACHMENT

- Winch, hydrostatic

For more complete information on Cat products, dealer services, and industry solutions, visit us on the web at [www.cat.com](http://www.cat.com)

AEHQ7400 (01-15)

© 2015 Caterpillar  
All Rights Reserved  
Printed in U.S.A.

Materials and specifications are subject to change without notice. Featured machines in photos may include additional equipment. See your Cat dealer for available options.

CAT, CATERPILLAR, SAFETY.CAT.COM, their respective logos, "Caterpillar Yellow" and the "Power Edge" trade dress, as well as corporate and product identity used herein, are trademarks of Caterpillar and may not be used without permission.

